

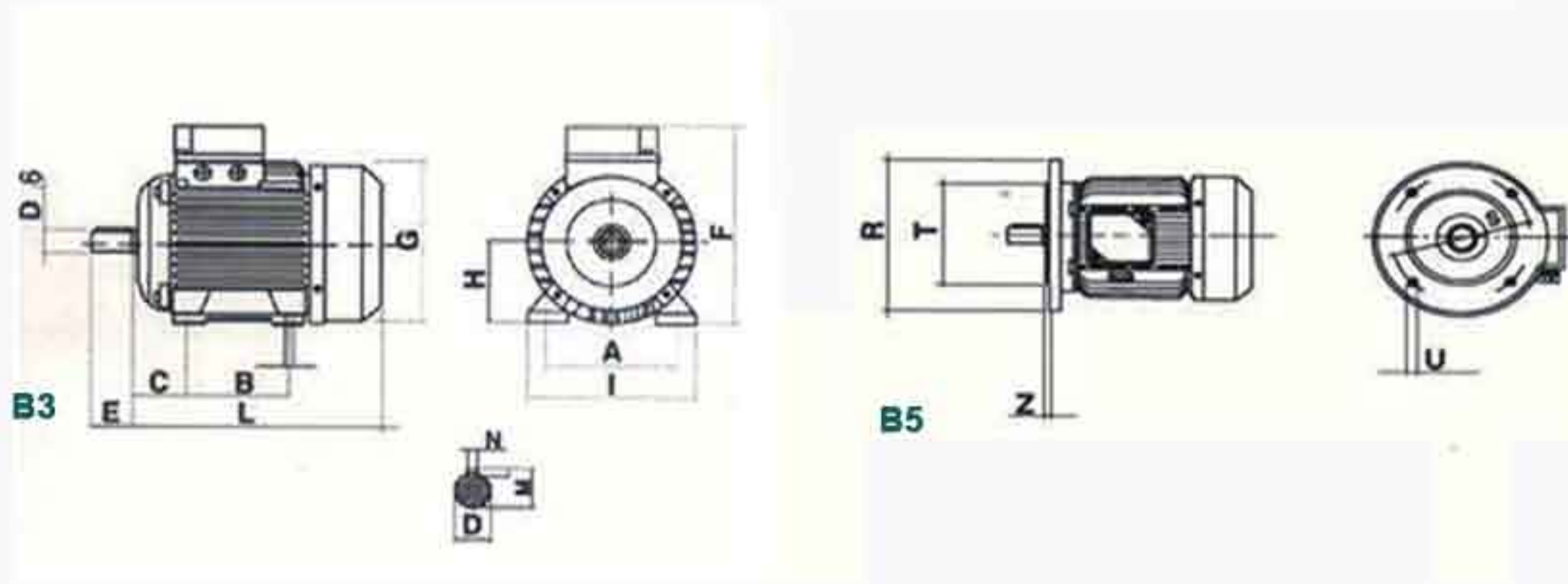
## TMY Series Three Phase IE1

Standar Efficiency IE1  
 Power Range: 18,5~45 kW  
 Protection: IP55  
 Insulation class: F  
 Mounting type: B3, B5,



TYPE	Full load current at rated voltage			Power		Full load speed in revolutions per minute	Eff.	P.F.	Noise LwdB(A)	Weight	Rotor inertia WK2
	(A)										
	380V	400V	415V	kW	HP	rpm	%	CosΦ	LwdB(A)	kg	kgm <sup>2</sup>
TMY-180M-2	41	39	37.6	22	30	2940	90.5	0.9	89	156	0.075
TMY-200L1-2	55.4	52.6	50.7	30	40	2950	91.4	0.9	92	218	0.124
TMY-200L2-2	67.9	64.5	62.2	37	50	2950	92	0.9	92	230	0.139
TMY-225M-2	82.1	78	75.2	45	60	2960	92.5	0.9	92	290	0.233
TMY-180M-4	36.3	34.5	33.3	18.5	25	1470	90	0.86	76	150	0.139
TMY-180L-4	43.2	40.8	39.3	22	30	1470	90.5	0.86	76	166	0.158
TMY-200L-4	57.6	55.1	53.1	30	40	1470	91.4	0.86	79	228	0.262
TMY-225S-4	70.2	66.7	64.3	37	50	1475	92	0.87	81	268	0.406
TMY-180L-6	31.6	30	28.9	15	20	970	89	0.81	73	154	0.207
TMY-200L1-6	38.6	36.6	35.3	18.5	25	980	90	0.81	76	202	0.315
TMY-200L2-6	44.7	42.5	41	22	30	980	90	0.83	76	216	0.36
TMY-225M-6	59.3	56.3	54.3	30	40	980	91.5	0.84	76	287	0.547
TMY-180L-8	25.5	24.2	23.3	11	15	730	87.5	0.75	70	169	0.203
TMY-200L-8	34.1	32.4	31.2	15	20	730	88	0.76	73	236	0.339
TMY-225S-8	41.1	39	37.6	18.5	25	730	90	0.76	73	274	0.491
TMY-225M-8	48.9	45	43.4	22	30	730	90.5	0.78	73	290	0.547





Type					B3		B5			Kgr
	D	E	N	L	A	B	R	T	S	
	Dimensions in mm									
TML180M	48	110	14	730	279	241	350	250	300	164
TML180L	48	110	14	730	279	279	350	250	300	164
TML200L	55	110	16	765	318	305	400	300	350	244
TML225	60	140	18	835	356	311	450	350	400	280
TML250	65	140	18	915	406	349	550	450	500	388
TML280	75	140	20	1040	457	419	550	450	500	510
TML315	80	170	22	1215	508	406	660	550	600	900

## Bearing Rules

Frame size	Poles	Drive End	Non-Drive End
180	2-8	6311-2RZ-C3	6211-2RZ-C3
200	2-8	6312-2RZ-C3	6212-2RZ-C3
225	2-8	6314-C3	6314-C3

Basic Data EL Connection Box		
Frame Size	Max.F.Amps	Input Hole Size
H180	41	2×M40×1.5
H200	68	2×M50×1.5
H225	82	2×M50×1.5